

SPECIFICATION CHARGE AMPLIFIER - IFTA CHARGEAMP



DESCRIPTION

An essential part of the IFTA piezo sensor measurement chain to convert charge into voltage

- Suitable for piezo pressure probes and accelerometers
- Frequency range from 3 Hz to 20 kHz
- IEPE supply from 8 mA to 12 mA recommended (functional with 4 mA)
- Sensitivities from 5 to 250 mV/pC (others on request)
- Ex nA (zone 2) certified version available

GENERAL SPECIFICATION

Ambient temperature	-20°C to 80°C
Storage temperature	-40°C to 85°C
Humidity	max. 95% (non-condensing)

SPECIFICATION OF ENCLOSURE (OPTIONAL)

Protection rating	> IP65 (EN60529)
Fire protection classification	UL94V-0 self-extinguishing

TRANSFER CHARACTERISTIC

Available sensitivities	5 / 10 / 25 / 50 / 100 / 250 mV/pC (others on request)
Sensitivity accuracy	+/- 1%
Linearity	+/- 1% over entire measurement range
Temperature drift	typical: 100 ppm/°C

OUTPUT CHARACTERISTIC

Permissible excitation voltage	20V - 26VDC
IEPE supply	8 mA - 12 mA (functional with 4 mA)
Output signal	12.5V operating point; +/- 5V Signal

CHARGE AMPLIFIER WITHOUT ENCLOSURE

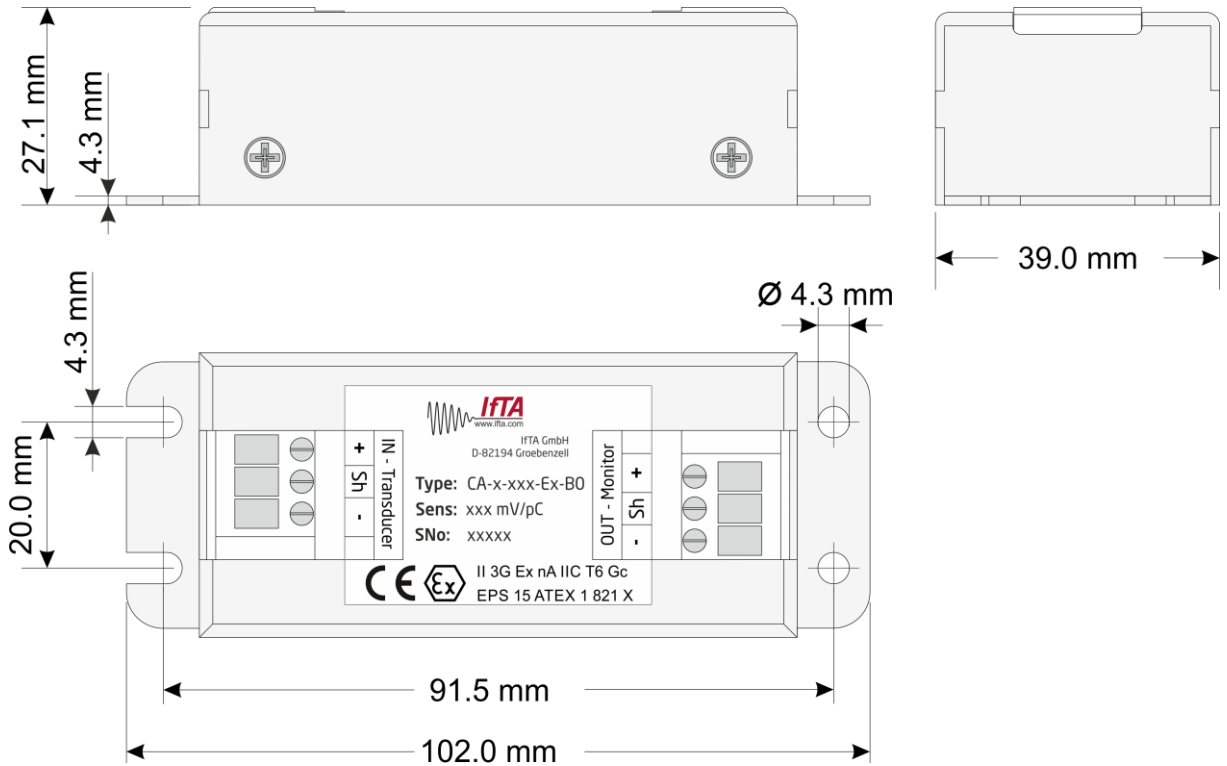
Casing material	Sheet steel, galvanized
Mounting	4 x M4
Weight	175 g
Dimension	See chapter Technical Drawings
Connection data	3x screw-type terminals for each signal input and output
	Nominal cross section: 2.5 mm ²
	Stripping length: 9.0 mm
	Flammability standard: UL94V-0
	Conductor cross-section rigid: 0.2 mm ² to 2.5 mm ²
	Conductor cross-section flexible: 0.2 mm ² to 2.5 mm ²
	Conductor cross-section flexible w/ End sleeve w/o plastic sleeve: 0.25 mm ² to 1.5 mm ²
	Conductor cross-section flexible w/ End sleeve w/ plastic sleeve: 0.25 mm ² to 1.5 mm ²
	Conductor cross-section: AWG24 to AWG14
	Tightening torque: 0.4 Nm to 0.5 Nm

ENCLOSURE FOR CHARGE AMPLIFIER

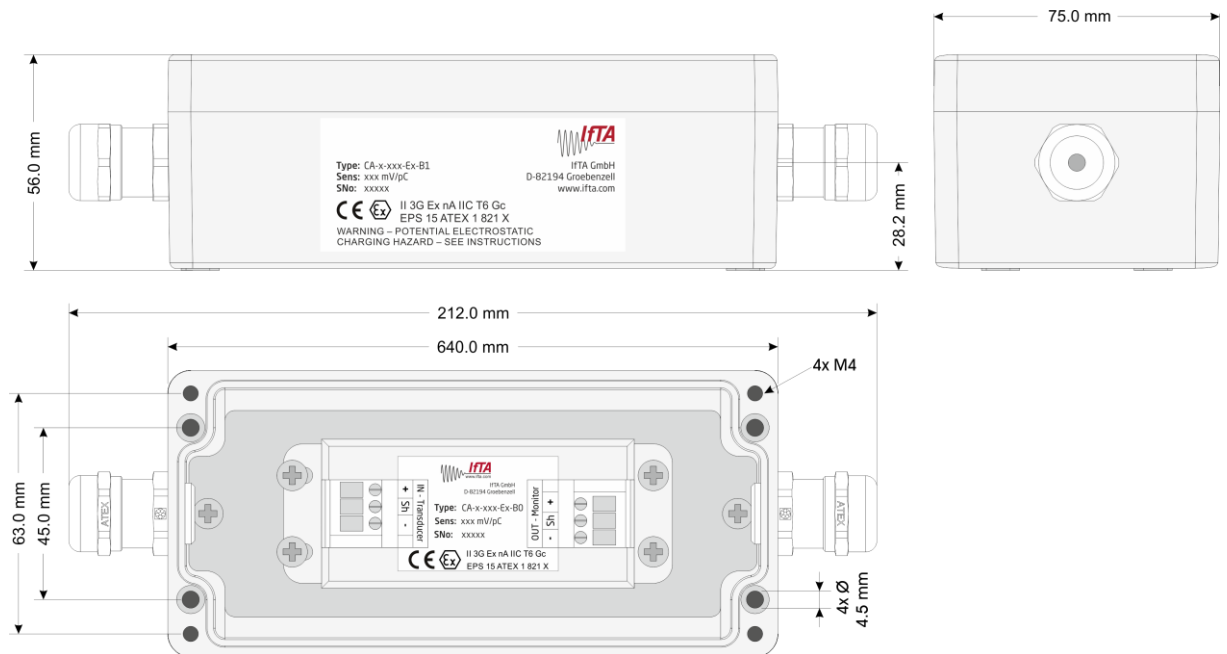
Material	Fiberglass reinforced polyester casing
Seal	Silicone sealing cord up to 130°C
Mounting	4 x M6x30
Weight	690 g (incl. Charge Amplifier)
Dimensions	See chapter Technical Drawings

Technical Drawing:

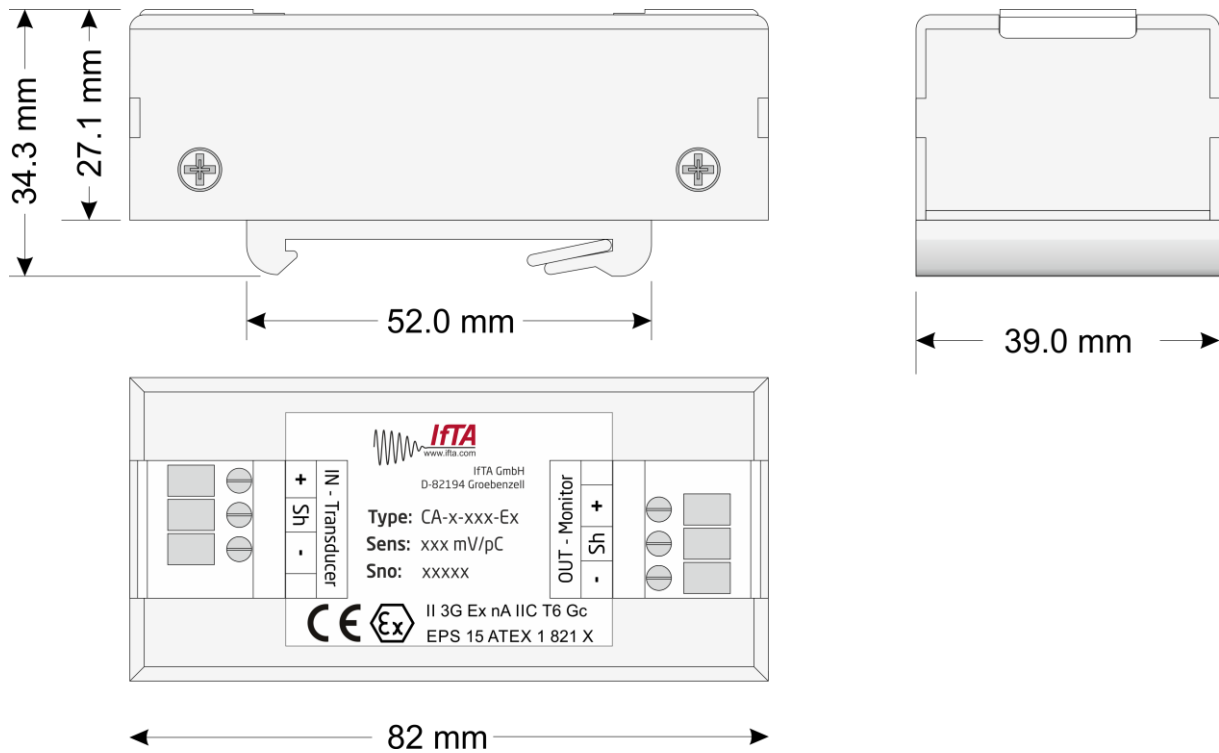
B0: Charge Amplifier for wall mounting



B1: Charge Amplifier with enclosure



B2: Charge Amplifier for DIN-Rail



Ordering-Information:

